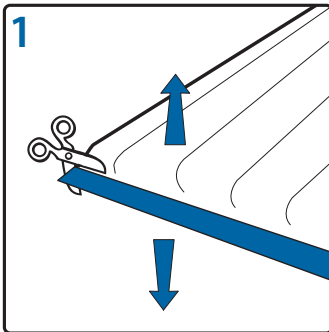


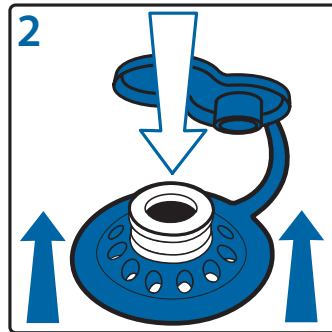
## Refresh Cover

### Replacement cover for Repose Mattress Overlay or Cushion

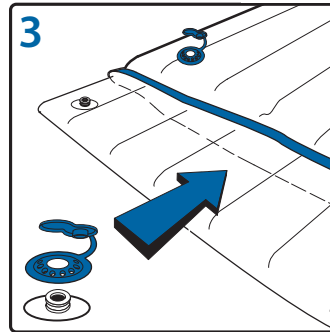
#### Instructions for use



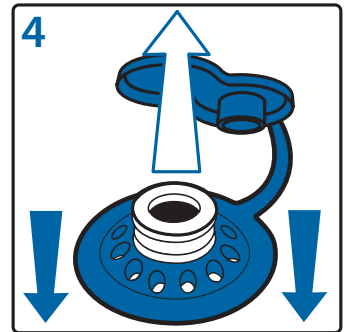
1 Remove existing cover by cutting adjacent to the top blue edging tape using a safety knife or scissors.



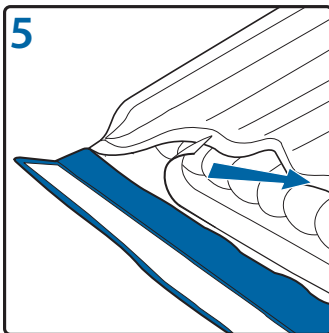
2 Lift underneath of the the blue shroud and push down on valve to separate from outer cover. Remove inner Repsoe Mattress or Cushion from the outer cover. Clean and allow to dry.



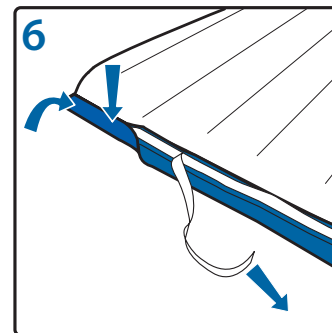
3 Insert an inflated Repose Mattress or Cushion into a Refresh the cover ensuring that the inflation valve and blue shroud on the new Refresh cover are aligned.



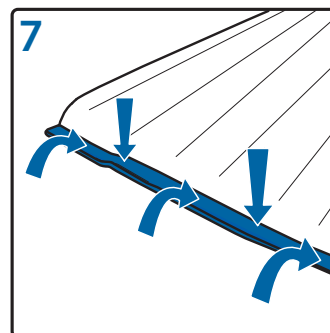
4 Press the blue shroud down onto the inflation valve until it is securely fixed.



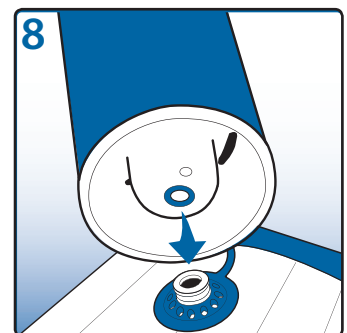
5 Remove the inner 'Peel & Seal' tape. Fix the cover to the adhesive and press firmly.



6 Repeat the process removing the outer 'Peel & Seal' tape half way across the blue edging tape.



7 Fold over the blue edging tape and press firmly ensuring a firm fit against the top surface of the cover material. Continue until all blue edging tape is securely in place.



8 Re-inflate the device.